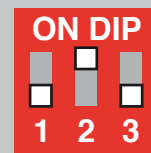
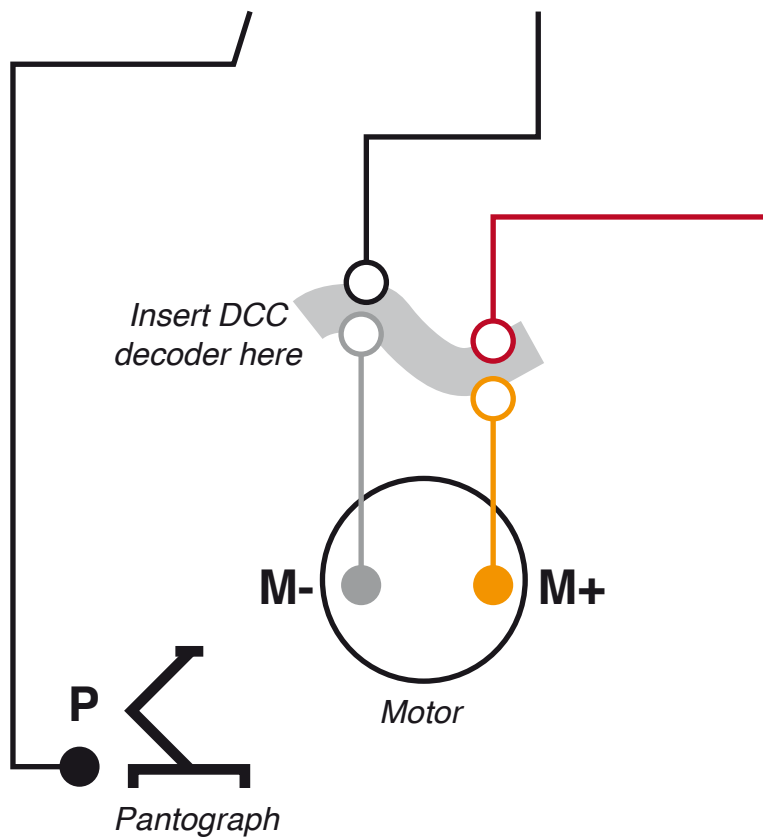
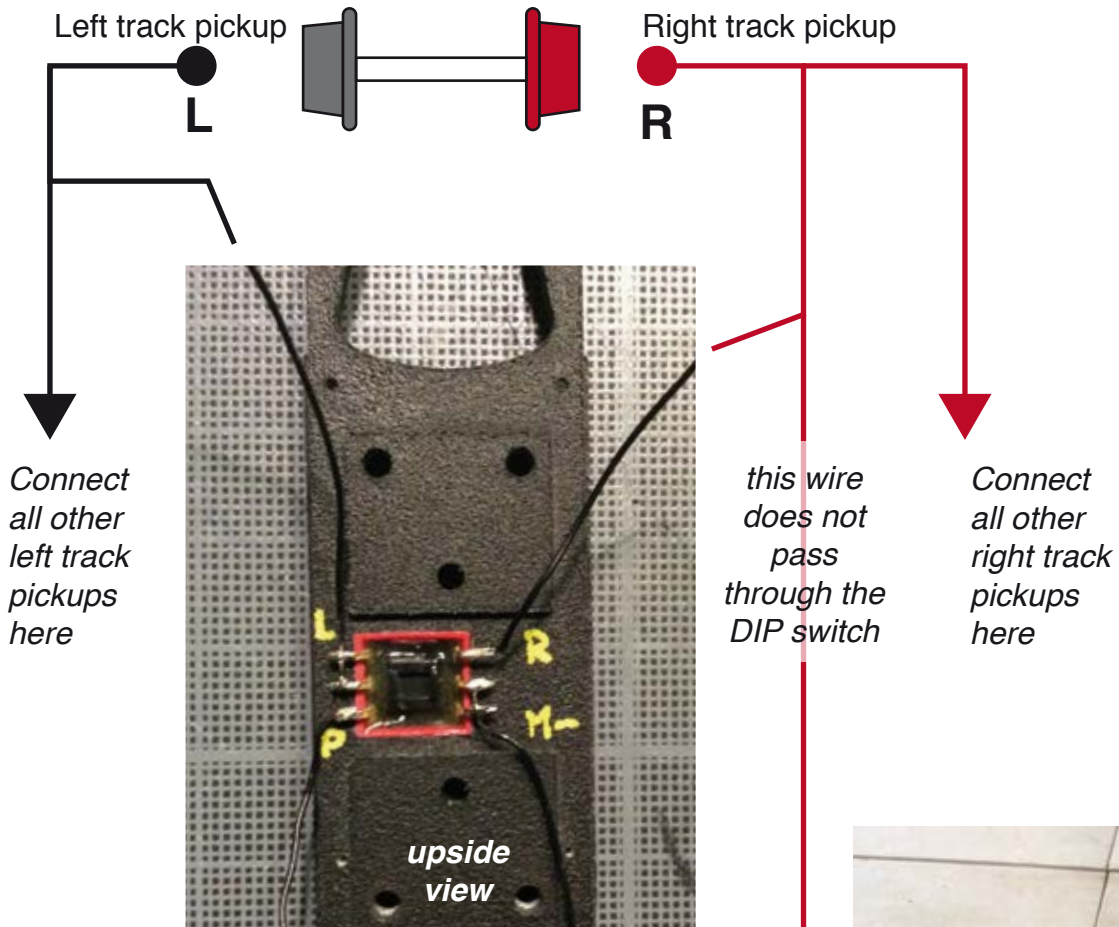


SIEMENS S70 «ULTRASHORT» LRV

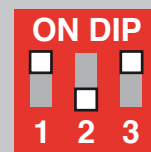
WIRING SCHEME FOR BOWSER DRIVES



off - on - off

2 rail operation

Pantograph remains dead



on - off - on

Overhead operation

Pantograph connected, left and right track pickups shunted together